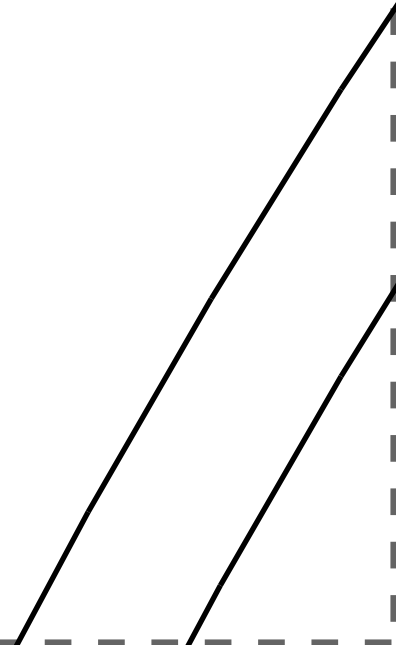
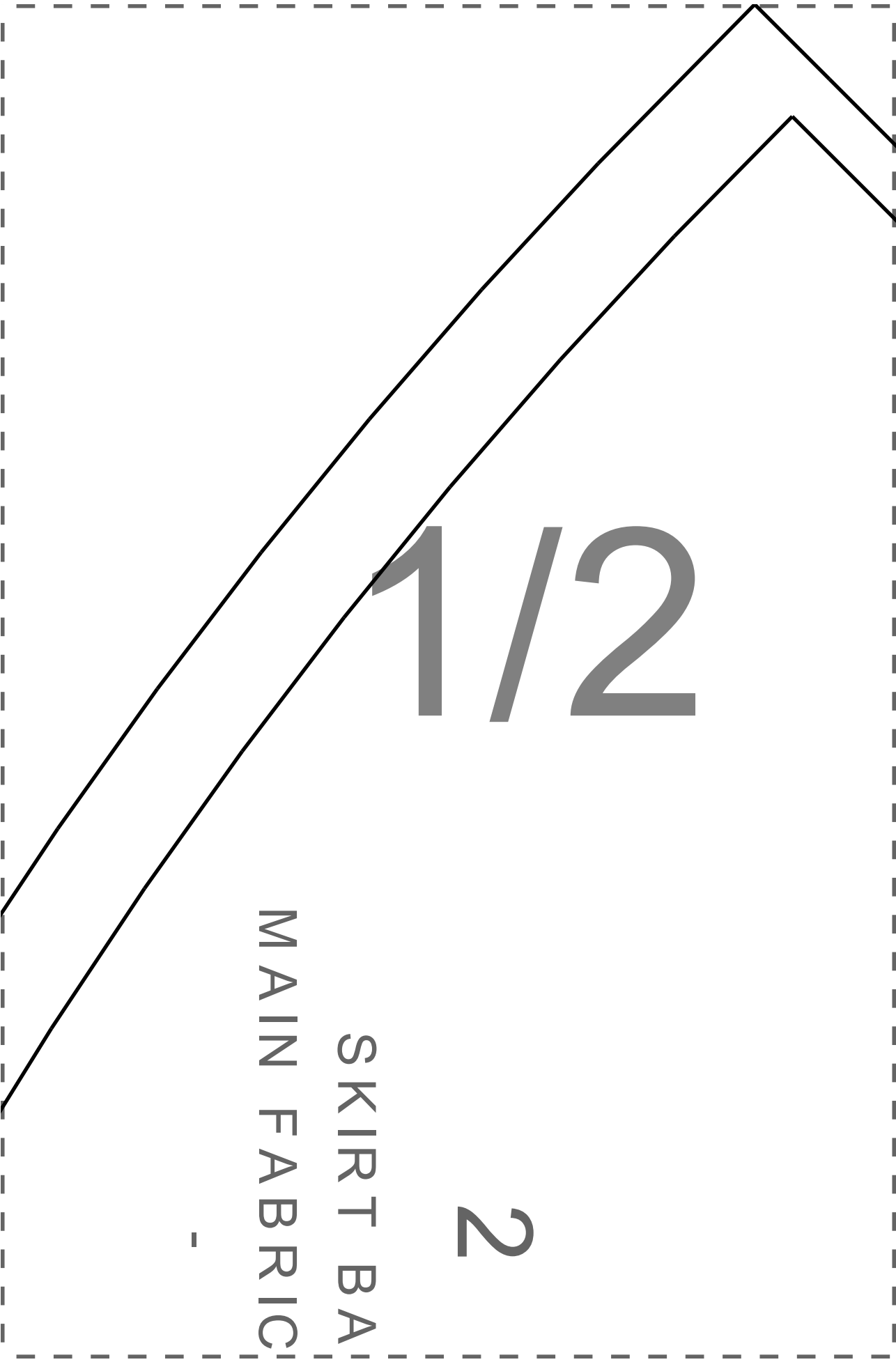


1 / 1

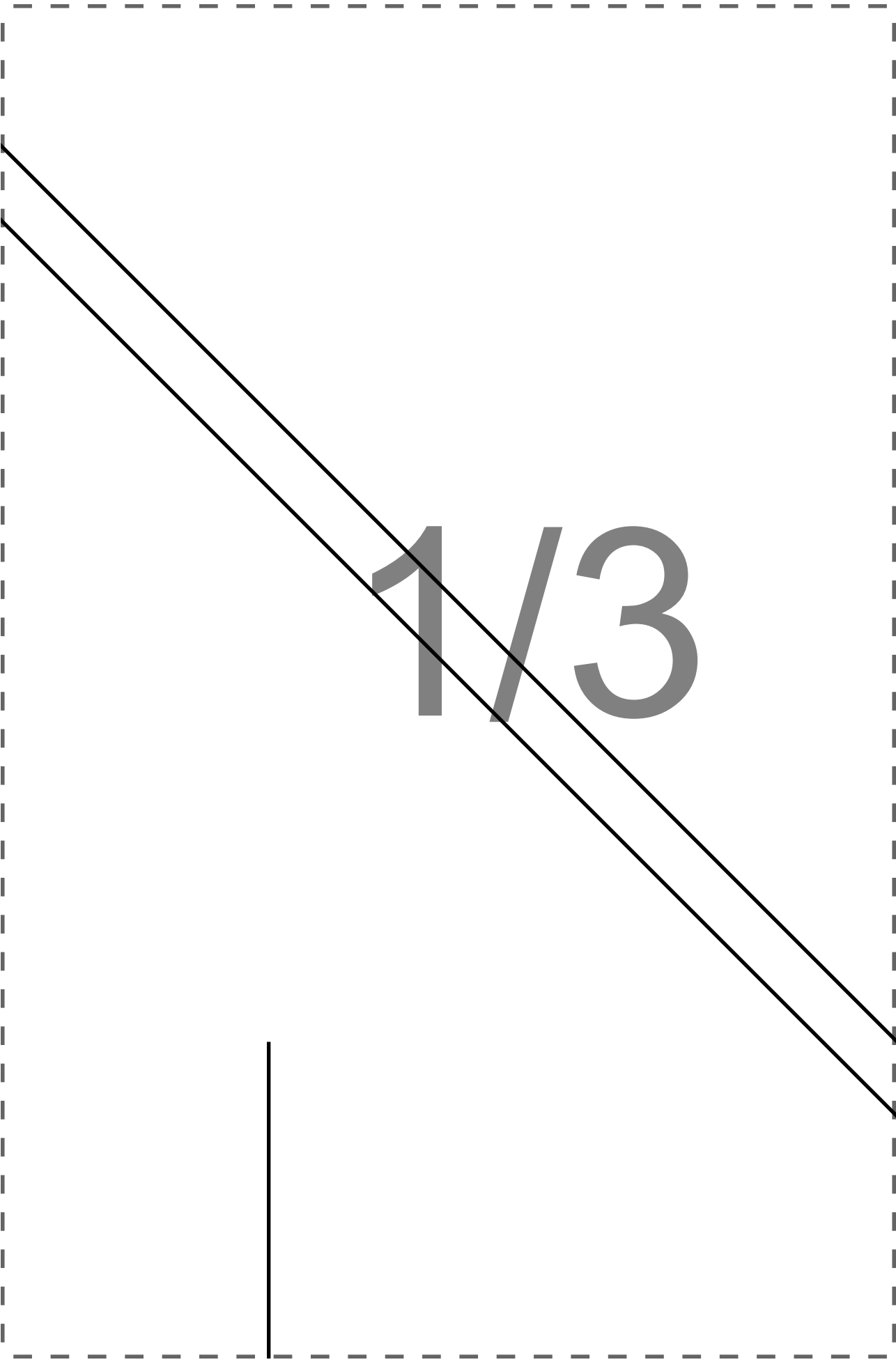




1/2

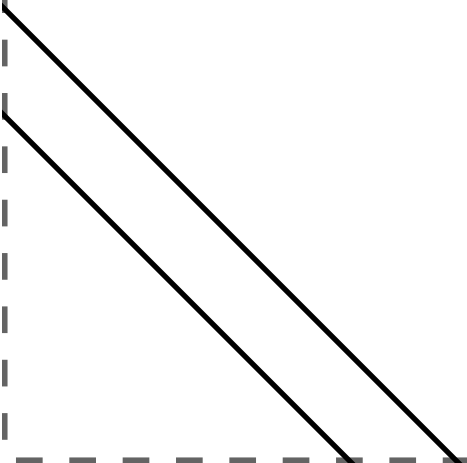
2

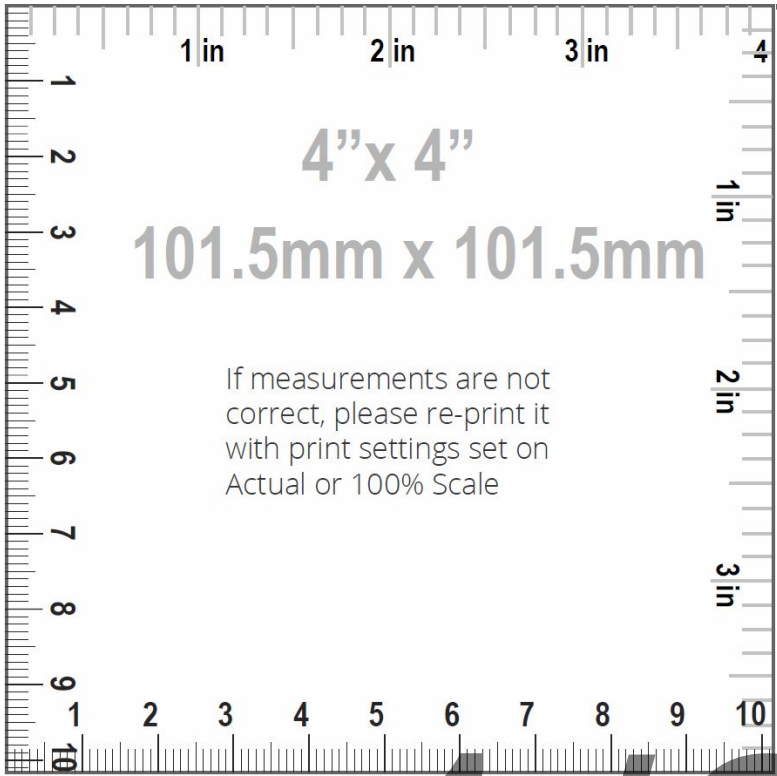
SKIRT BA
MAIN FABRIC



$1/3$

$1/4$





4'' x 4''
101.5mm x 101.5mm

If measurements are not correct, please re-print it with print settings set on Actual or 100% Scale

1/6



2/1

CK

: Cut 1

2/2

2/3



$2/4$

2/5

ZIP



3/1

3/2

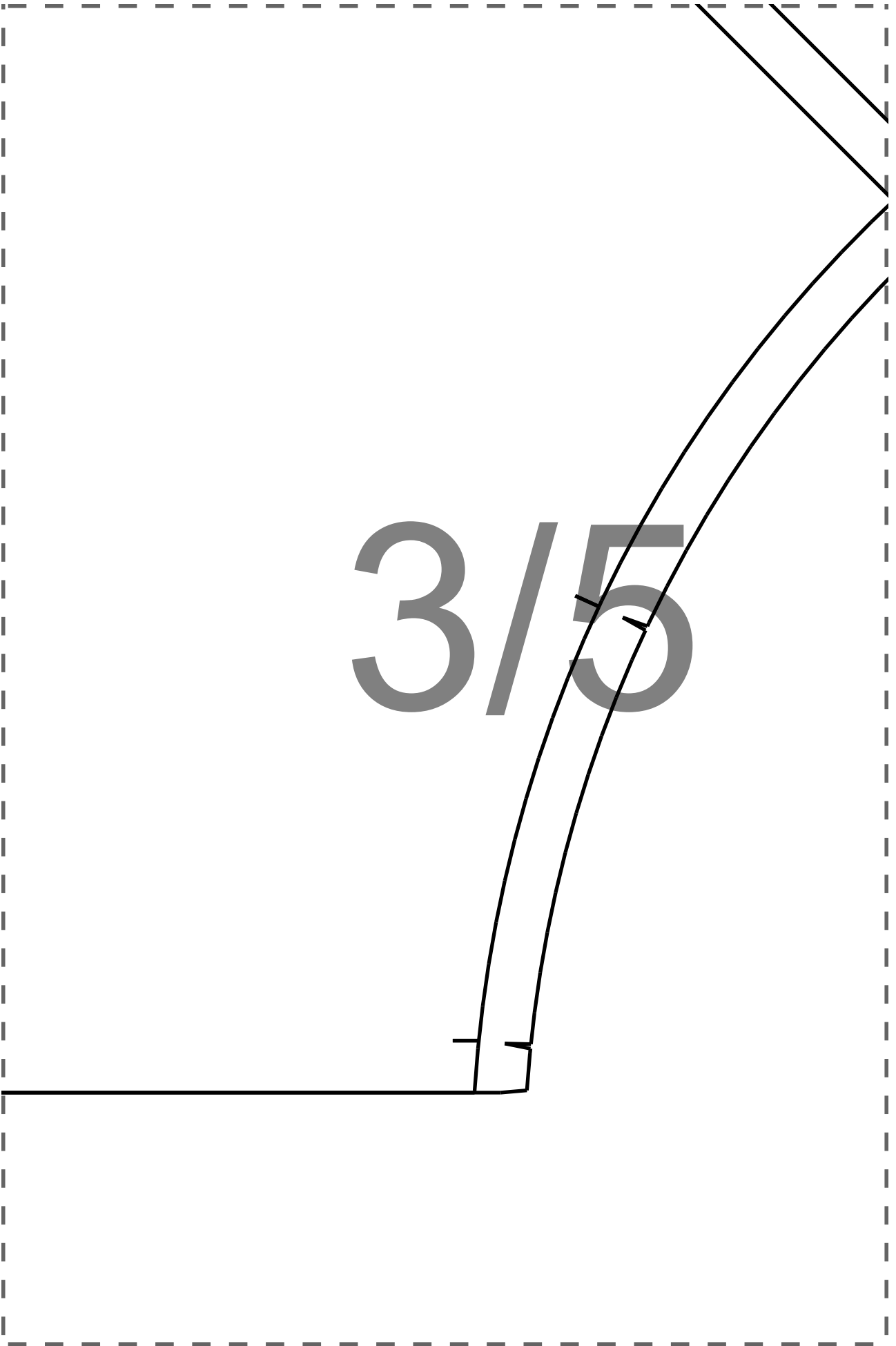


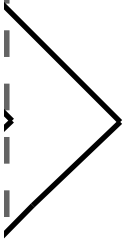
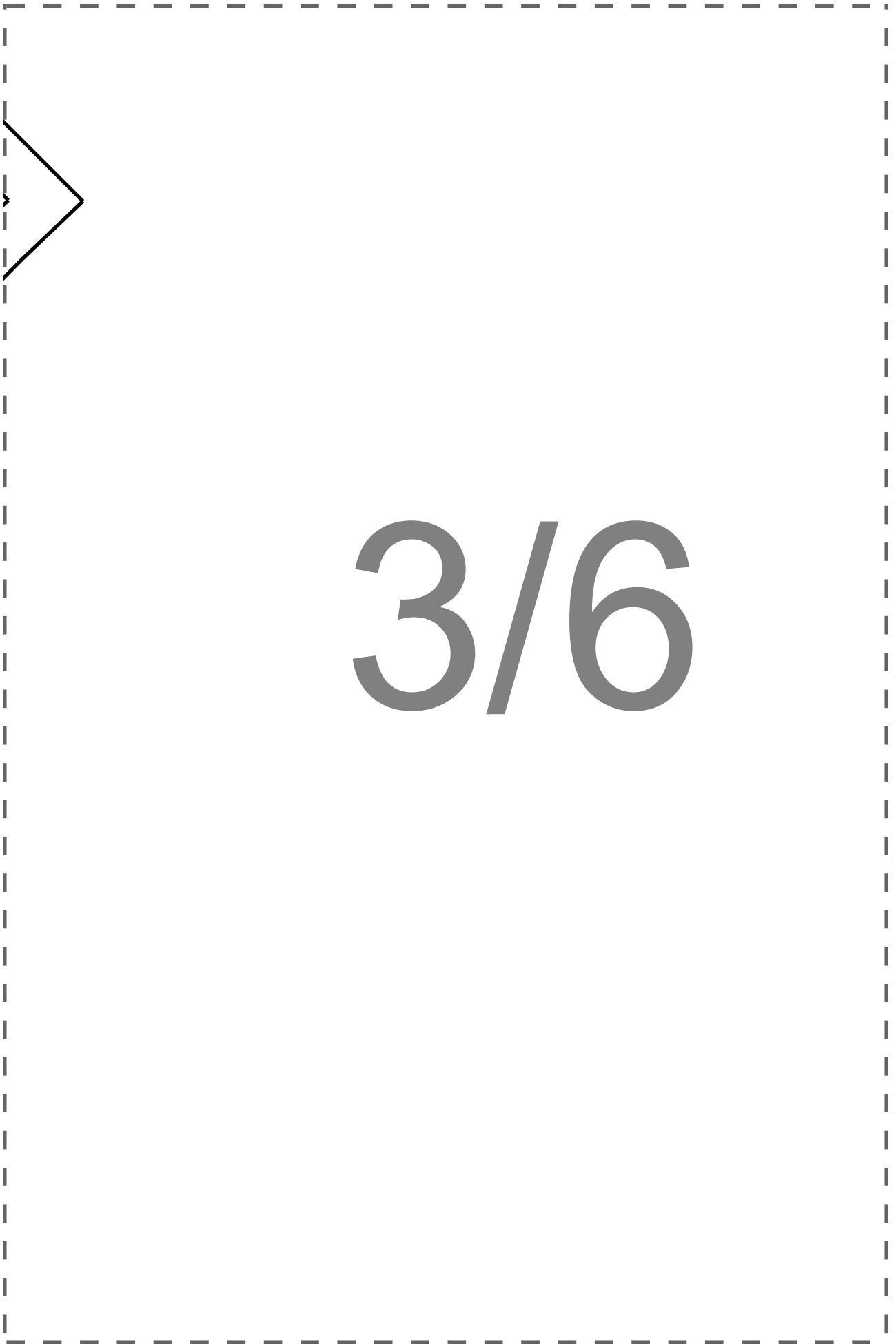
3/3

CUT ON FOLD

$3/4$

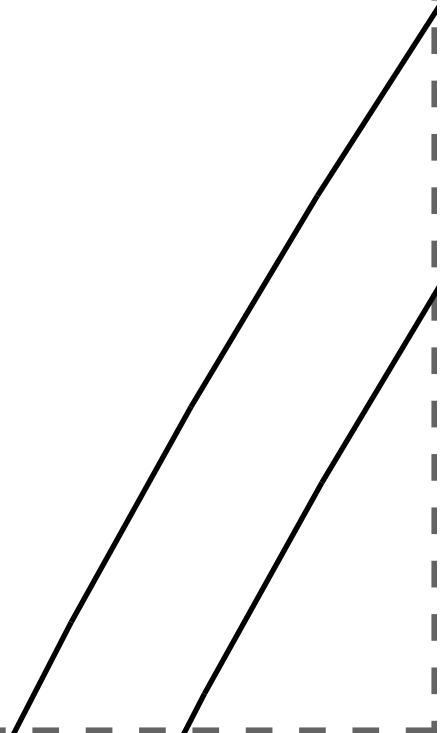
3/5





$3/6$

4/1



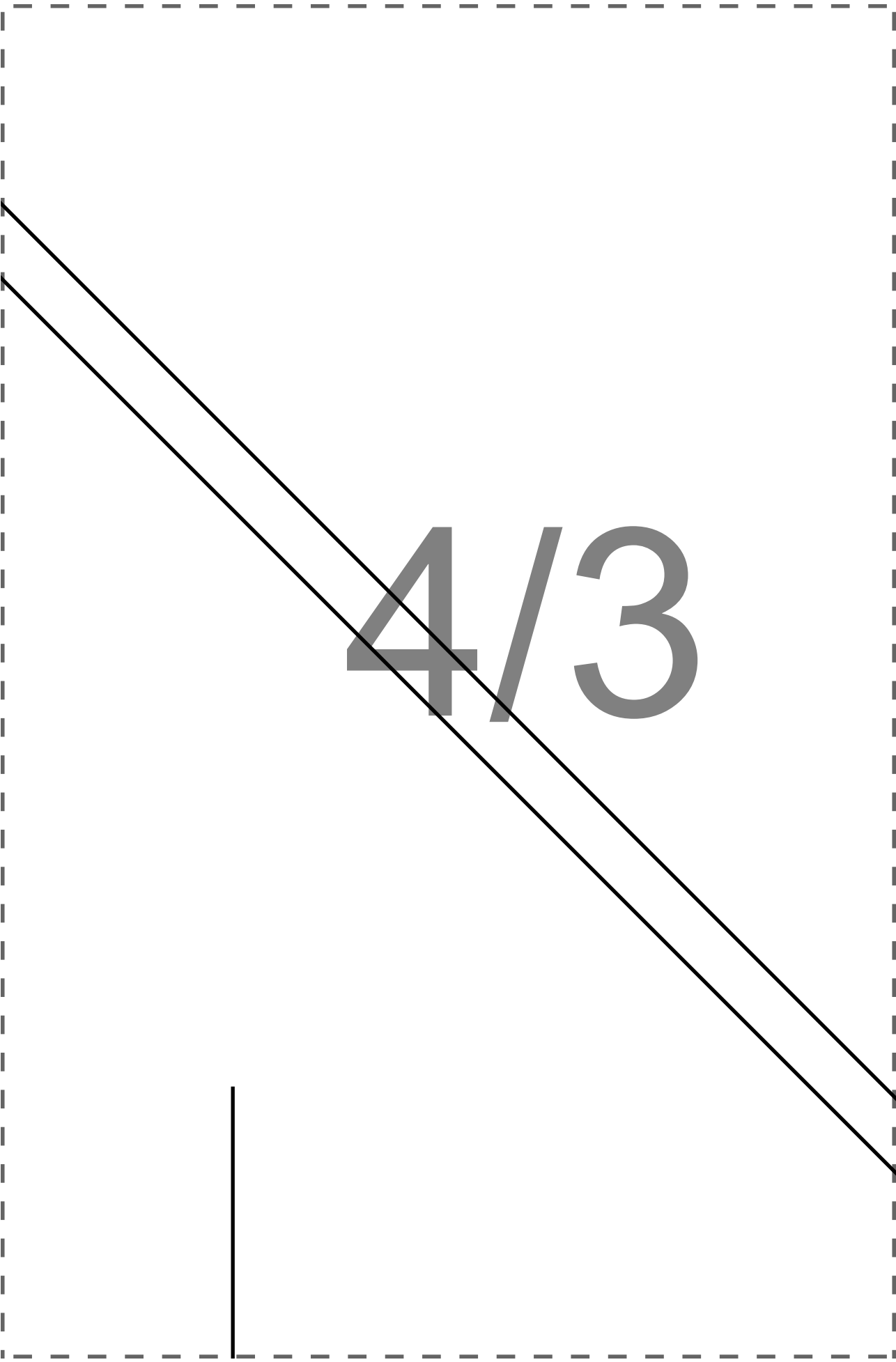


4/2

1

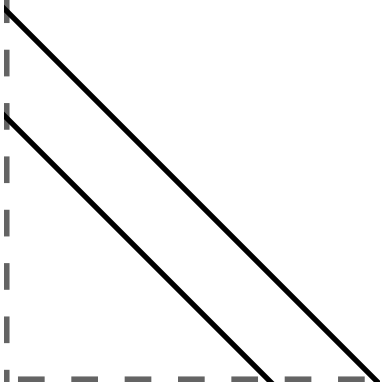
SKIRT FRONT
MAIN FABRIC:

-



$\frac{4}{3}$

4/4





5/1

NT

Cut 1

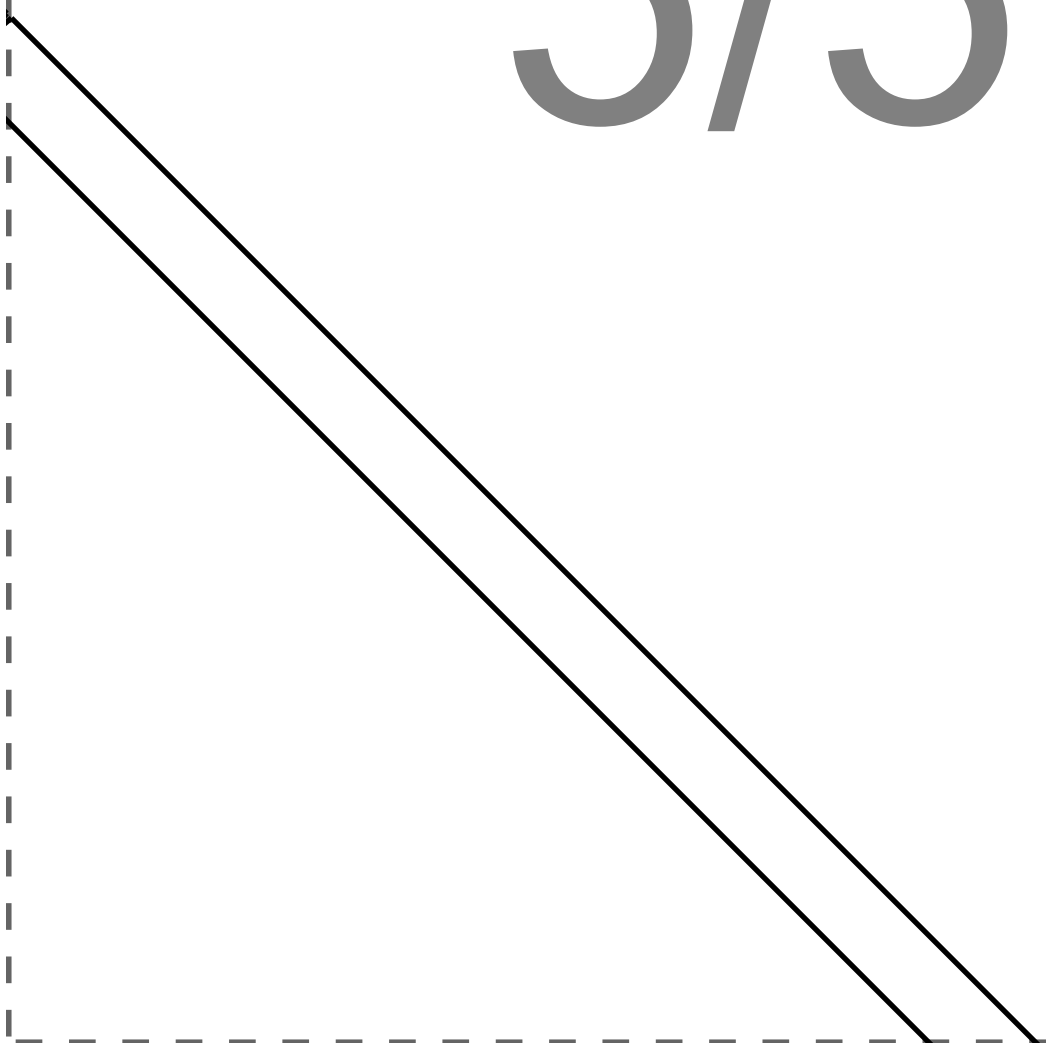
5/2

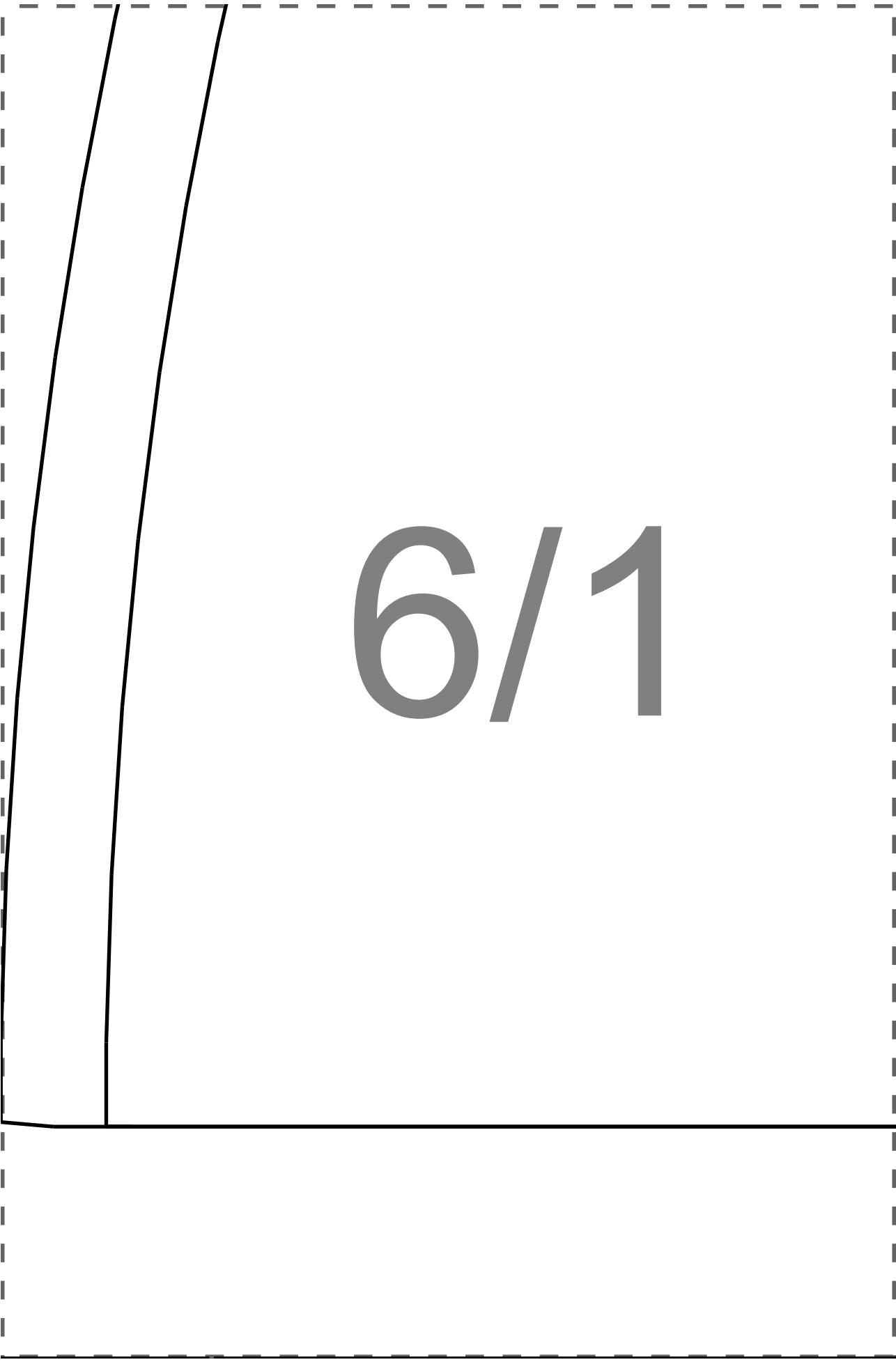
5/3

5/4

ZIP

5/5





6/1

6/2

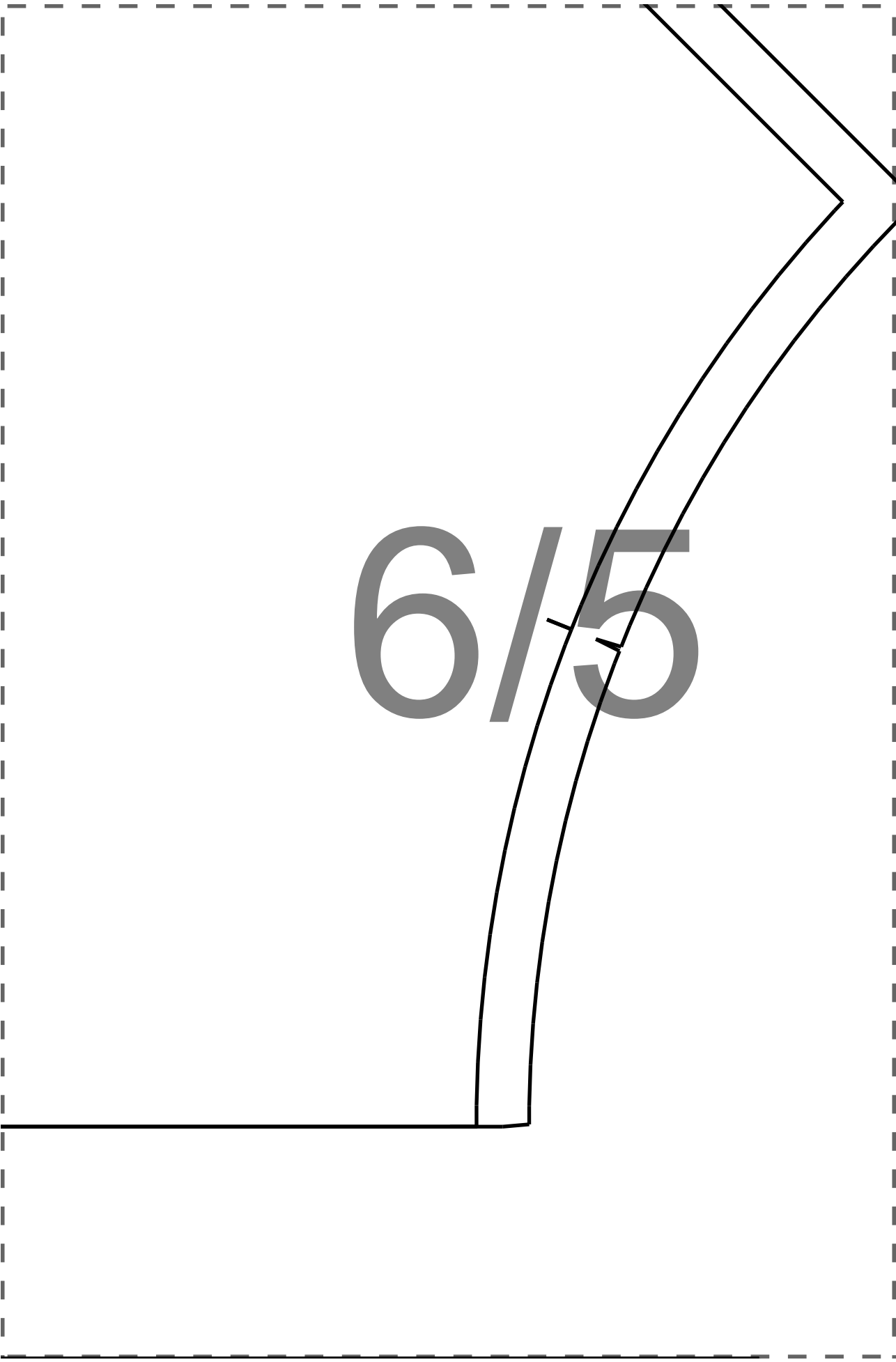


6/3

CUT ON FOLD



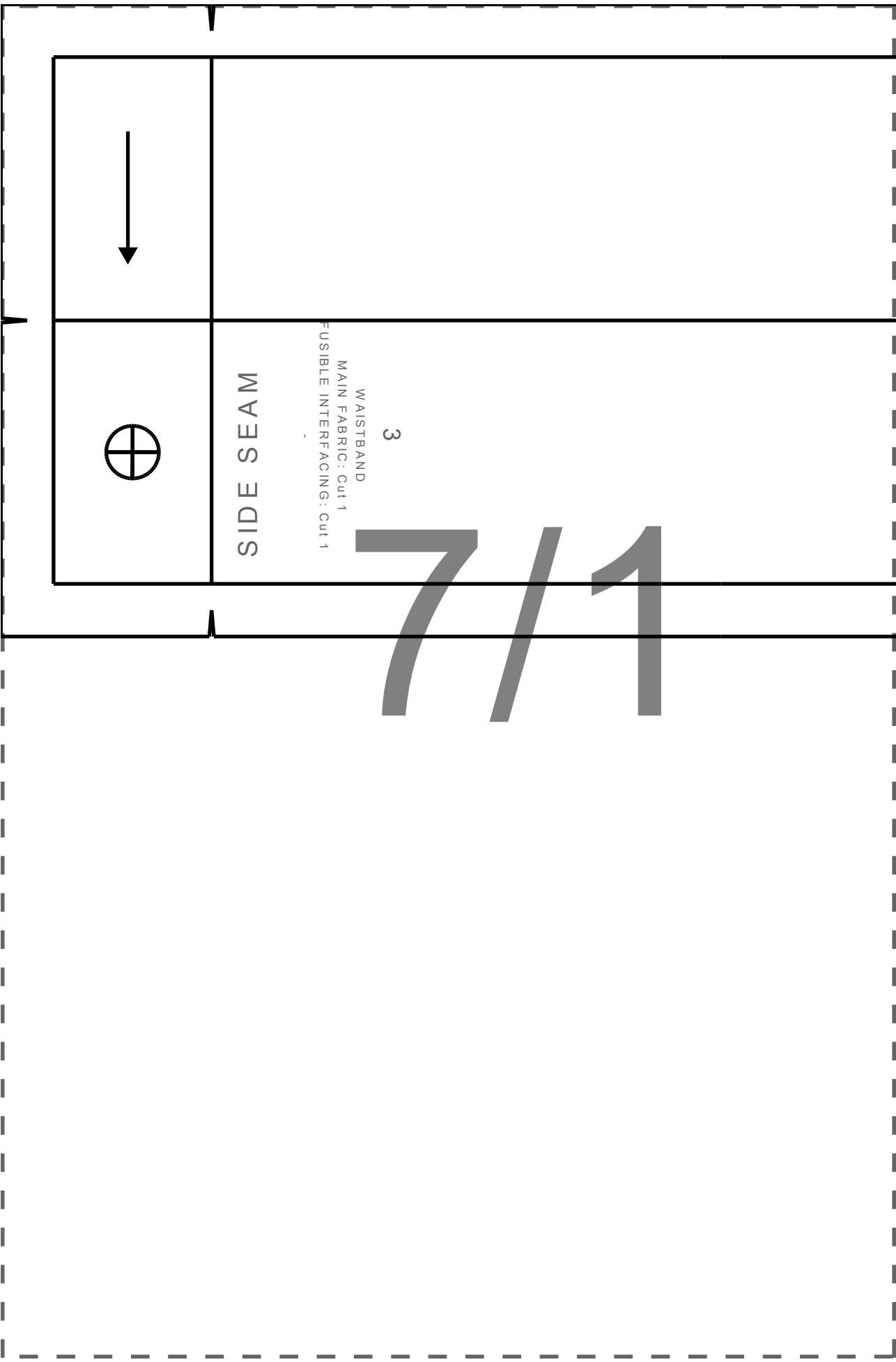
6/4



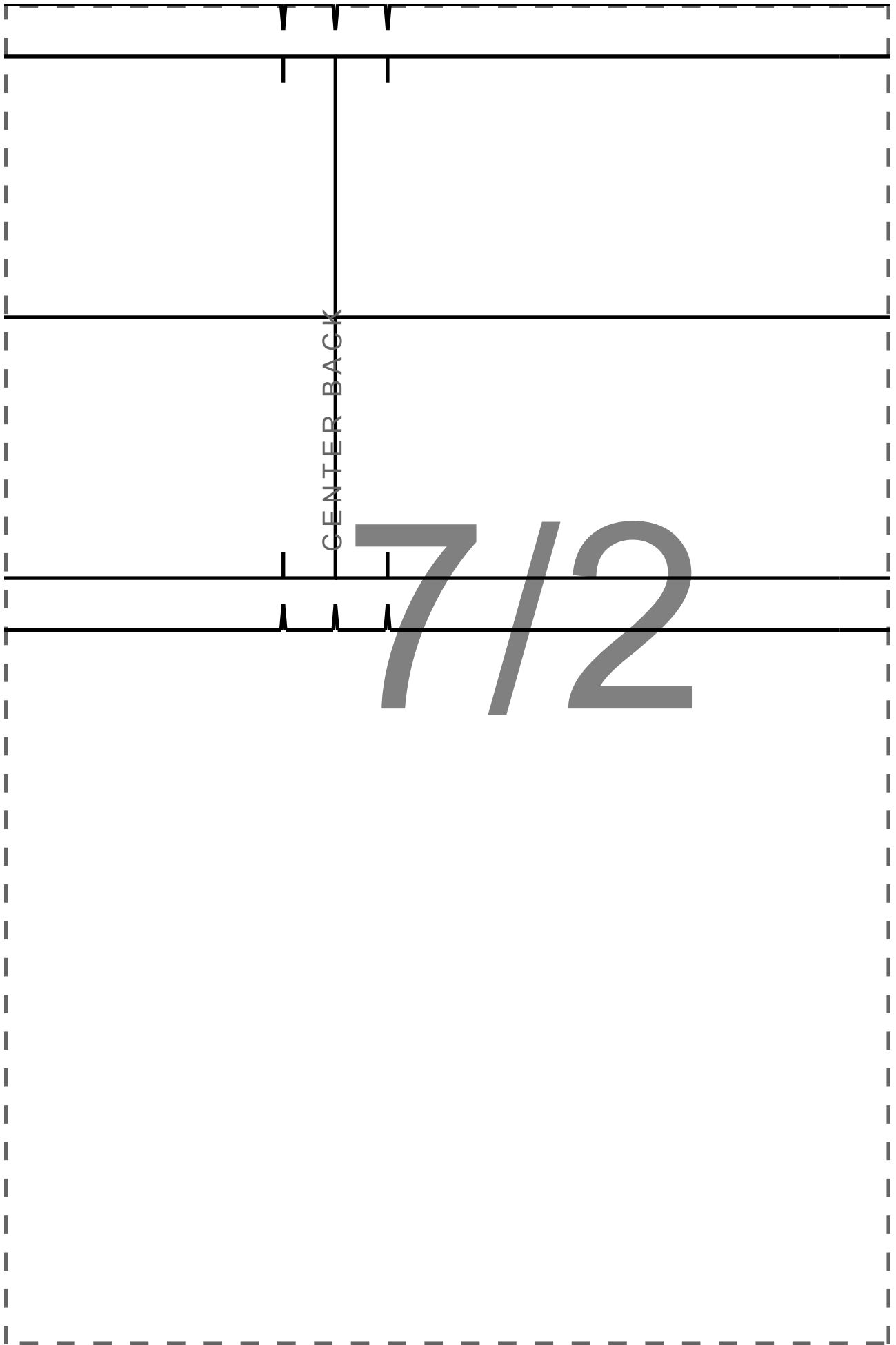
6/5



6/6

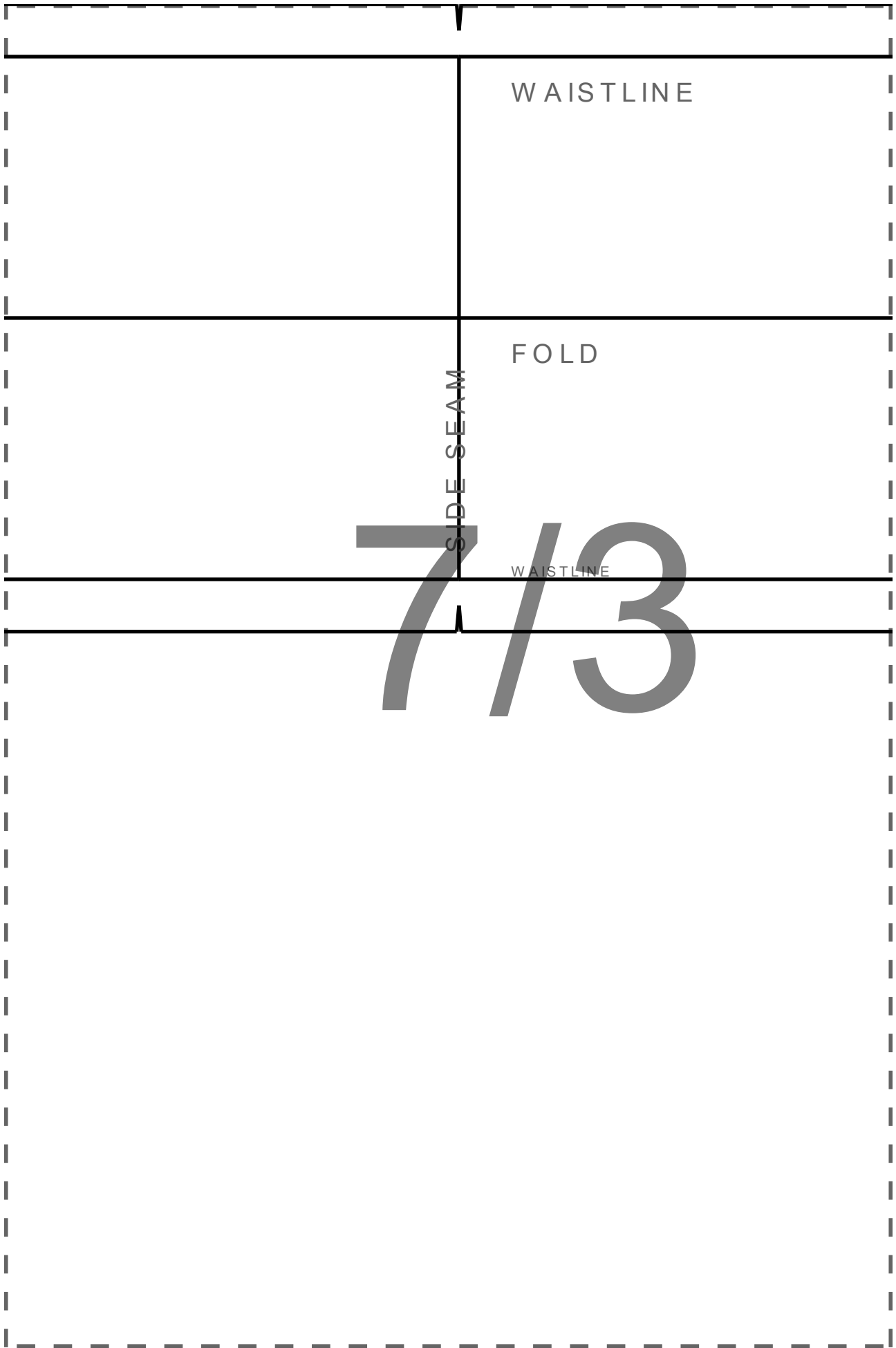


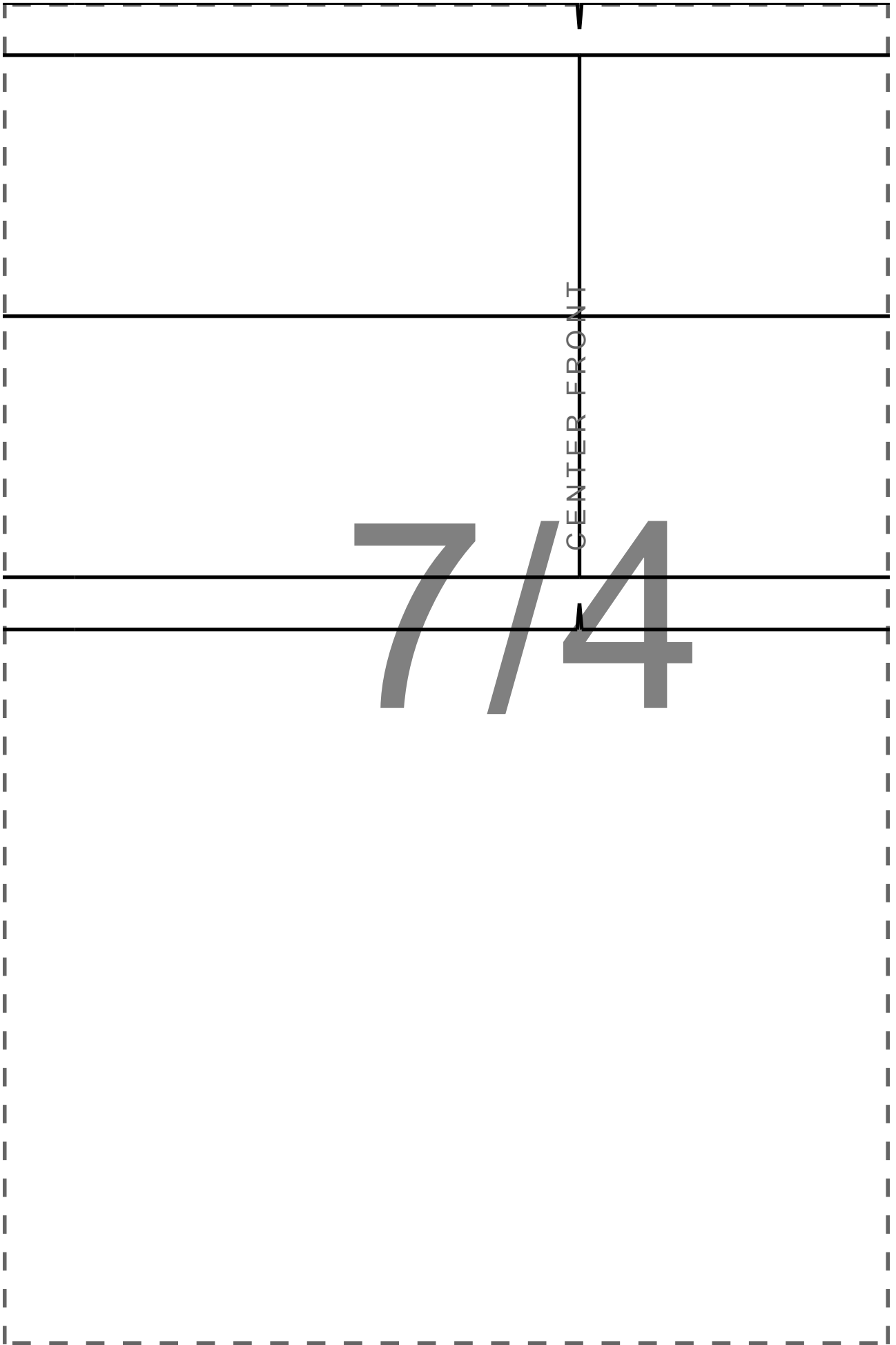
7/1



CENTER BACK

7/2





CENTER FRONT

7/4

